

Rubycon **大形アルミニウム電解コンデンサ** **VXP**
LARGE CAN TYPE ALUMINUM ELECTROLYTIC CAPACITORS

VXP シリーズ
 SERIES

旧シリーズ



基板自立形105 5000時間品
 105 5000 hours, Snap-in Terminal Type

特長 FEATURES

- 105 5000時間品。
 Load Life : 105 5000 hours.

規格表 SPECIFICATIONS

項目 Items	特性 Characteristics																								
カテゴリ温度範囲 Category Temperature Range	- 40 ~ + 105	- 25 ~ + 105																							
定格電圧範囲 Rated Voltage Range	10 ~ 100V.DC	160 ~ 400V.DC																							
静電容量許容差 Capacitance Tolerance	± 20% (20 , 120Hz)																								
漏れ電流 Leakage Current(MAX)	$I = 3\sqrt{CV}$ (定格電圧印加5分後) $I = 3\sqrt{CV}$ (After 5 minutes application of rated voltage) I = 漏れ電流 (μ A) V = 定格電圧 (V) C = 定格静電容量 (μ F) Leakage Current Rated Voltage Rated Capacitance																								
損失角の正接 (tan) Dissipation Factor(MAX)	<table border="1"> <tr> <td>定格電圧 (V) Rated Voltage</td> <td>10</td> <td>16</td> <td>25</td> <td>35</td> <td>50</td> <td>63</td> <td>80</td> <td>100</td> <td>160 ~ 250</td> <td>315 ~ 400</td> <td rowspan="2">(20 , 120Hz)</td> </tr> <tr> <td>tan</td> <td>0.55</td> <td>0.50</td> <td>0.45</td> <td>0.40</td> <td>0.35</td> <td>0.30</td> <td>0.25</td> <td>0.20</td> <td>0.15</td> <td>0.20</td> </tr> </table>		定格電圧 (V) Rated Voltage	10	16	25	35	50	63	80	100	160 ~ 250	315 ~ 400	(20 , 120Hz)	tan	0.55	0.50	0.45	0.40	0.35	0.30	0.25	0.20	0.15	0.20
定格電圧 (V) Rated Voltage	10	16	25	35	50	63	80	100	160 ~ 250	315 ~ 400	(20 , 120Hz)														
tan	0.55	0.50	0.45	0.40	0.35	0.30	0.25	0.20	0.15	0.20															
インピーダンス比 Impedance Ratio(MAX)	<table border="1"> <tr> <td>定格電圧 (V) Rated Voltage</td> <td>10 ~ 100</td> <td>160 ~ 250</td> <td>315 ~ 400</td> <td rowspan="3">(120Hz)</td> </tr> <tr> <td>Z (- 25) / Z (20)</td> <td>3</td> <td>3</td> <td>8</td> </tr> <tr> <td>Z (- 40) / Z (20)</td> <td>12</td> <td></td> <td></td> </tr> </table>		定格電圧 (V) Rated Voltage	10 ~ 100	160 ~ 250	315 ~ 400	(120Hz)	Z (- 25) / Z (20)	3	3	8	Z (- 40) / Z (20)	12												
定格電圧 (V) Rated Voltage	10 ~ 100	160 ~ 250	315 ~ 400	(120Hz)																					
Z (- 25) / Z (20)	3	3	8																						
Z (- 40) / Z (20)	12																								
耐久性 Endurance	105 中で5000時間定格電圧 (リプル重畳) 印加後、下記項目を満足すること After applying rated voltage with rated ripple current for 5000hrs at 105 , the capacitors shall meet the following requirements.																								
	静電容量変化率 Capacitance Change	初期値の ± 20% (10WV は ± 25%) 以内 Within ± 20% (For 10WV ; ± 25%) of the initial value.																							
	損失角の正接 Dissipation Factor	規格値の 200% 以下 Not more than 200% of the specified value.																							
	漏れ電流 Leakage Current	規格値以下 Not more than the specified value.																							

リップル電流補正係数 MULTIPLIER FOR RIPPLE CURRENT
 周波数係数 Frequency coefficient

周波数 (Hz) Frequency	60 (50)	120	500	1k	10k
10 ~ 100WV	0.90	1.00	1.05	1.10	1.15
160 ~ 250WV	0.80	1.00	1.20	1.30	1.50
315 ~ 400WV	0.80	1.00	1.20	1.25	1.40

呼称方法 PART NUMBER

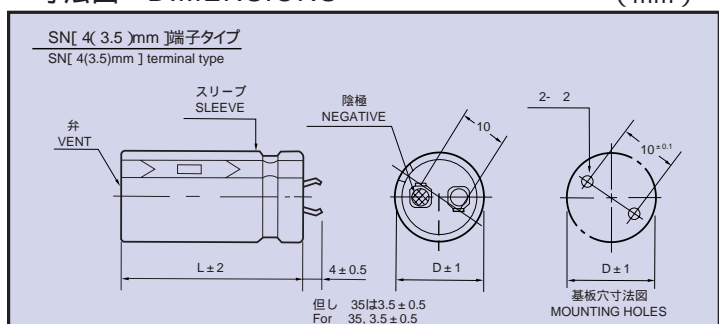
定格電圧 Rated Voltage	VXP シリーズ名 Series	定格静電容量 Rated Capacitance	静電容量許容差 Capacitance Tolerance	副記号 Option	端子記号 Terminal Code	D x L ケースサイズ Case Size
-----------------------	------------------------	-----------------------------	----------------------------------	---------------	-----------------------	------------------------------

副記号 Option

	記号 Code
底板なし without plate	OOE
底板あり with plate	なし Blank

寸法図 DIMENSIONS

(mm)





大形アルミニウム電解コンデンサ

LARGE CAN TYPE ALUMINUM ELECTROLYTIC CAPACITORS

VXP

寸法一覧表, 定格リップル電流一覧表 STANDARD SIZE, RATED RIPPLE CURRENT

Cap(μF)	WV D	10				16			
		22	25	30	35	22	25	30	35
5600						22 × 25: 1.44			
6800						22 × 30: 1.66			
8200	22 × 25: 1.36					22 × 30: 1.79	25 × 25: 1.67		
10000	22 × 30: 1.65					22 × 35: 2.08	25 × 30: 2.07		
12000	22 × 35: 1.85	25 × 25: 1.82				22 × 40: 2.36	25 × 35: 2.37	30 × 25: 2.13	
15000	22 × 40: 2.12	25 × 30: 2.11	30 × 25: 2.14			22 × 45: 2.69	25 × 40: 2.72	30 × 30: 2.54	
18000	22 × 45: 2.40	25 × 35: 2.32	30 × 30: 2.37				25 × 45: 3.06	30 × 35: 3.02	35 × 30: 3.09
22000		25 × 40: 2.59	30 × 30: 2.73				25 × 50: 3.39	30 × 40: 3.46	35 × 30: 3.31
27000		25 × 45: 3.01	30 × 35: 3.13	35 × 30: 3.05				30 × 45: 3.88	35 × 35: 3.85
33000		25 × 50: 3.43	30 × 40: 3.53	35 × 35: 3.49				30 × 50: 4.33	35 × 40: 4.33
39000			30 × 45: 3.78	35 × 40: 3.96					35 × 45: 4.96
47000			30 × 50: 4.58	35 × 45: 4.60					35 × 50: 5.49
56000				35 × 50: 5.06					

Cap(μF)	WV D	25				35			
		22	25	30	35	22	25	30	35
2700						22 × 25: 1.29			
3300						22 × 30: 1.54			
3900	22 × 25: 1.31					22 × 35: 1.77	25 × 25: 1.55		
4700	22 × 30: 1.55					22 × 40: 2.01	25 × 30: 1.87		
5600	22 × 35: 1.77	25 × 25: 1.56				22 × 45: 2.25	25 × 35: 2.18	30 × 25: 1.80	
6800	22 × 40: 2.02	25 × 30: 1.88				22 × 50: 2.49	25 × 40: 2.45	30 × 30: 2.28	
8200	22 × 45: 2.27	25 × 35: 2.18	30 × 25: 1.92				25 × 45: 2.80	30 × 35: 2.69	
10000	22 × 50: 2.56	25 × 40: 2.53	30 × 30: 2.38					30 × 40: 3.04	35 × 30: 2.78
12000		25 × 45: 2.79	30 × 35: 2.70	35 × 30: 2.76				30 × 45: 3.38	35 × 35: 3.30
15000			30 × 40: 3.13	35 × 30: 3.00					35 × 40: 3.88
18000			30 × 45: 3.52	35 × 35: 3.50					35 × 45: 4.40
22000			30 × 50: 3.92	35 × 40: 3.95					
27000				35 × 50: 4.72					

Cap(μF)	WV D	50				63			
		22	25	30	35	22	25	30	35
1000						22 × 25: 1.10			
1200						22 × 25: 1.17			
1500	22 × 25: 1.21					22 × 30: 1.41	25 × 25: 1.38		
1800	22 × 25: 1.28					22 × 35: 1.62	25 × 30: 1.63		
2200	22 × 30: 1.52	25 × 25: 1.46				22 × 40: 1.85	25 × 30: 1.75	30 × 25: 1.66	
2700	22 × 35: 1.77	25 × 30: 1.76				22 × 45: 2.10	25 × 35: 2.03	30 × 30: 2.01	
3300	22 × 40: 2.02	25 × 30: 1.87	30 × 25: 1.72				25 × 40: 2.33	30 × 30: 2.15	
3900	22 × 45: 2.27	25 × 35: 2.20	30 × 30: 2.09				25 × 45: 2.58	30 × 35: 2.46	35 × 30: 2.31
4700		25 × 40: 2.43	30 × 30: 2.22					30 × 40: 2.82	35 × 35: 2.77
5600		25 × 45: 2.72	30 × 35: 2.58	35 × 30: 2.35				30 × 45: 3.22	35 × 40: 3.20
6800			30 × 40: 3.01	35 × 35: 2.91					35 × 45: 3.61
8200			30 × 50: 3.63	35 × 40: 3.36					35 × 50: 3.94
10000				35 × 45: 3.79					
12000				35 × 50: 4.06					

Cap(μF)	WV D	80				100			
		22	25	30	35	22	25	30	35
560						22 × 25: 1.01			
680						22 × 30: 1.19			
820	22 × 25: 1.09					22 × 35: 1.33	25 × 25: 1.26		
1000	22 × 30: 1.29					22 × 40: 1.56	25 × 30: 1.52	30 × 25: 1.47	
1200	22 × 35: 1.48	25 × 25: 1.32				22 × 45: 1.76	25 × 35: 1.76	30 × 30: 1.76	
1500	22 × 40: 1.70	25 × 30: 1.74	30 × 25: 1.58			22 × 50: 2.00	25 × 40: 2.03	30 × 30: 1.89	
1800	22 × 45: 1.91	25 × 35: 1.86	30 × 25: 1.68				25 × 45: 2.29	30 × 35: 2.19	35 × 30: 2.05
2200		25 × 45: 2.22	30 × 30: 2.02					30 × 40: 2.52	35 × 35: 2.48
2700			30 × 35: 2.50	35 × 30: 2.18				30 × 45: 2.86	35 × 40: 2.87
3300			30 × 40: 2.69	35 × 35: 2.60					35 × 45: 3.25
3900			30 × 45: 2.94	35 × 40: 3.00					35 × 50: 3.56
4700				35 × 45: 3.44					
5600				35 × 50: 3.72					

↑ リプル電流 Ripple Current (A r.m.s./120Hz:105)
 ↑ ケースサイズ Case Size D × L(mm)



大形アルミニウム電解コンデンサ

LARGE CAN TYPE ALUMINUM ELECTROLYTIC CAPACITORS

VXP

寸法一覧表, 定格リップル電流一覧表 STANDARD SIZE, RATED RIPPLE CURRENT

Cap(μF)	WV D	160				180			
		22	25	30	35	22	25	30	35
220	22 × 25	0.63				22 × 25	0.63		
270	22 × 30	0.76				22 × 30	0.76	25 × 25	0.76
330	22 × 35	0.90	25 × 25	0.84		22 × 35	0.90	25 × 30	0.90
390	22 × 35	0.97	25 × 30	0.97	30 × 25	1.00			
470	22 × 40	1.11	25 × 35	1.14	30 × 30	1.17			
560	22 × 45	1.26	25 × 35	1.23	30 × 30	1.26			
680	22 × 50	1.44	25 × 40	1.43	30 × 35	1.50			
820			25 × 45	1.63	30 × 40	1.66	35 × 30	1.63	
1000					30 × 45	1.89	35 × 35	1.89	
1200					30 × 50	2.16	35 × 40	2.23	
1500							35 × 45	2.61	
1800							35 × 50	2.97	

Cap(μF)	WV D	200				250			
		22	25	30	35	22	25	30	35
150						22 × 25	0.52		
180	22 × 25	0.57				22 × 30	0.64	25 × 25	0.62
220	22 × 30	0.70				22 × 35	0.76	25 × 30	0.76
270	22 × 35	0.83	25 × 25	0.76		22 × 40	0.88	25 × 35	0.90
330	22 × 40	0.96	25 × 30	0.90		22 × 45	1.01	25 × 35	0.99
390	22 × 40	1.03	25 × 35	1.06	30 × 25	1.02			
470	22 × 45	1.17	25 × 40	1.22	30 × 30	1.17			
560			25 × 45	1.39	30 × 35	1.38			
680			25 × 50	1.58	30 × 40	1.61	35 × 30	1.49	
820					30 × 45	1.85	35 × 35	1.75	
1000					30 × 50	2.11	35 × 40	2.07	
1200							35 × 45	2.38	
1500							35 × 50	2.76	

Cap(μF)	WV D	315				350				
		22	25	30	35	22	25	30	35	
68	22 × 25	0.32				22 × 25	0.34			
82	22 × 30	0.38				22 × 30	0.40			
100	22 × 30	0.42	25 × 25	0.41		22 × 30	0.46	25 × 25	0.47	
120	22 × 35	0.48	25 × 30	0.49		22 × 35	0.52	25 × 30	0.53	
150	22 × 40	0.56	25 × 30	0.53	30 × 25	0.51	22 × 40	0.59	25 × 35	0.60
180	22 × 45	0.63	25 × 35	0.62	30 × 30	0.63	22 × 45	0.68	25 × 40	0.70
220	22 × 50	0.72	25 × 40	0.71	30 × 35	0.74	22 × 50	0.78	25 × 45	0.82
270			25 × 45	0.81	30 × 40	0.85	35 × 30	0.75	25 × 50	0.94
330			25 × 50	0.92	30 × 40	0.91	35 × 35	0.90	30 × 40	0.93
390					30 × 45	1.04	35 × 40	1.05	30 × 45	1.05
470					30 × 50	1.15	35 × 45	1.18	30 × 50	1.18
560							35 × 50	1.34	35 × 45	1.26
									35 × 50	1.39

Cap(μF)	WV D	400					
		22	25	30	35		
68	22 × 30	0.38					
82	22 × 30	0.43	25 × 25	0.41			
100	22 × 35	0.46	25 × 30	0.48	30 × 25	0.48	
120	22 × 40	0.53	25 × 35	0.55	30 × 30	0.56	
150	22 × 50	0.63	25 × 40	0.65	30 × 30	0.65	
180			25 × 45	0.72	30 × 35	0.74	
220			25 × 50	0.79	30 × 40	0.85	
270					30 × 45	0.98	
330					30 × 50	1.12	
390						35 × 40	1.12
470						35 × 45	1.27
						35 × 50	1.33

↑ リプル電流 Ripple Current (A r.m.s./120Hz-105)
 ↑ ケースサイズ Case Size D × L(mm)