

VXK シリーズ
SÉRIES

UPGRADE

105°C 5000時間 超小形化品
105°C 5000 hours, Ultra Miniaturized

・105°C 5000時間品。
Load Life : 105°C 5000 hours.

RoHS
compliance



◆規格表 / SPECIFICATIONS

| 項目 Items | 特 性 Characteristics | | | | | | | | |
|---|---|-------------------------------|---|------------------------------|--|-------------------------|---|------|--|
| カテゴリ温度範囲 Category Temperature Range | -25~+105°C | | | | | | | | |
| 定格電圧範囲 Rated Voltage Range | 400~500Vdc | | | | | | | | |
| 静電容量許容差 Capacitance Tolerance | ±20% (20°C, 120Hz) | | | | | | | | |
| 漏れ電流 Leakage Current(MAX) | $I=3\sqrt{CV}$ (定格電圧印加5分後) $I=3\sqrt{CV}$ (After 5 minutes application of rated voltage) I=漏れ電流(µA) Leakage Current C=静電容量(µF) Capacitance V=定格電圧(Vdc) Rated Voltage | | | | | | | | |
| 損失角の正接 (tanδ) Dissipation Factor(MAX) | <table border="1"> <tr> <td>定格電圧(Vdc) Rated Voltage</td> <td>400~450</td> <td>475, 500</td> <td>(20°C, 120Hz)</td> </tr> <tr> <td>tanδ</td> <td>0.20</td> <td>0.25</td> <td></td> </tr> </table> | 定格電圧(Vdc) Rated Voltage | 400~450 | 475, 500 | (20°C, 120Hz) | tanδ | 0.20 | 0.25 | |
| 定格電圧(Vdc) Rated Voltage | 400~450 | 475, 500 | (20°C, 120Hz) | | | | | | |
| tanδ | 0.20 | 0.25 | | | | | | | |
| 耐 久 性 Endurance | <p>105°C中で5000時間定格電圧(リップル重畳)印加後、下記項目を満足すること。 After applying rated voltage with rated ripple current for 5000 hours at 105°C, the capacitors shall meet the following requirements.</p> <table border="1"> <tr> <td>静電容量変化率 Capacitance Change</td> <td>初期値の±20%以内 Within ±20% of the initial value.</td> </tr> <tr> <td>損失角の正接 Dissipation Factor</td> <td>規格値の200%以下 Not more than 200% of the specified value.</td> </tr> <tr> <td>漏れ電流 Leakage Current</td> <td>規格値以下 Not more than the specified value.</td> </tr> </table> | 静電容量変化率 Capacitance Change | 初期値の±20%以内 Within ±20% of the initial value. | 損失角の正接 Dissipation Factor | 規格値の200%以下 Not more than 200% of the specified value. | 漏れ電流 Leakage Current | 規格値以下 Not more than the specified value. | | |
| 静電容量変化率 Capacitance Change | 初期値の±20%以内 Within ±20% of the initial value. | | | | | | | | |
| 損失角の正接 Dissipation Factor | 規格値の200%以下 Not more than 200% of the specified value. | | | | | | | | |
| 漏れ電流 Leakage Current | 規格値以下 Not more than the specified value. | | | | | | | | |
| 低温特性 Low Temperature Stability (インピーダンス比) Impedance Ratio(MAX) | <table border="1"> <tr> <td>定格電圧(Vdc) Rated Voltage</td> <td>400~450</td> <td>475, 500</td> <td>(120Hz)</td> </tr> <tr> <td>Z(-25°C)/Z(20°C)</td> <td>8</td> <td>12</td> <td></td> </tr> </table> | 定格電圧(Vdc) Rated Voltage | 400~450 | 475, 500 | (120Hz) | Z(-25°C)/Z(20°C) | 8 | 12 | |
| 定格電圧(Vdc) Rated Voltage | 400~450 | 475, 500 | (120Hz) | | | | | | |
| Z(-25°C)/Z(20°C) | 8 | 12 | | | | | | | |

◆リップル電流補正係数 / MULTIPLIER FOR RIPPLE CURRENT

| 周波数 (Hz) Frequency | 60(50) | 120(100) | 300 | 500 | 1k | 10k≤ |
|-----------------------|--------|----------|------|------|------|------|
| 係 数 Coefficient | 0.80 | 1.00 | 1.15 | 1.20 | 1.25 | 1.40 |

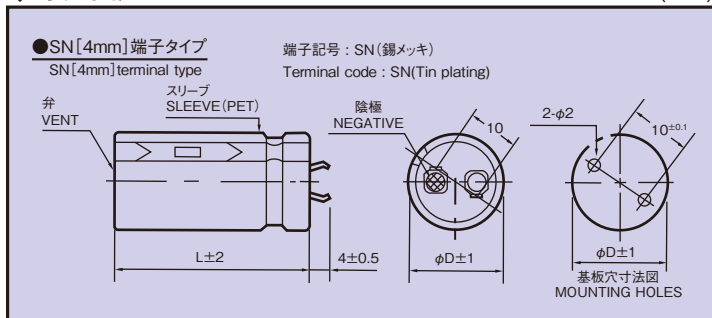
◆副記号 / OPTION

| | 記号 Code |
|---------------------------------------|---------|
| PETスリーブ、底板なし PET Sleeve without plate | EFC |

◆呼称方法 / PART NUMBER

| | | | | | | |
|-----------------------|-----------------|---------------------|----------------------------------|---------------|-----------------------|---------------------|
| □□□ | VXK | □□□□□ | M | □□□ | SN | D×L |
| 定格電圧 Rated Voltage | シリーズ名 Series | 静電容量 Capacitance | 静電容量許容差 Capacitance Tolerance | 副記号 Option | 端子記号 Terminal Code | ケースサイズ Case Size |

◆寸法図 / DIMENSIONS (mm)



◆標準品一覧表 STANDARD SIZE

| Vdc Cap(μF) φD | 400 | | | | | | | | 420 | | | | | | | |
|-------------------|-------|------|-------|------|-------|------|-------|------|-------|------|-------|------|-------|-------|-------|------|
| | φ22 | | φ25 | | φ30 | | φ35 | | φ22 | | φ25 | | φ30 | | φ35 | |
| 120 | | | | | | | | | 22×25 | 0.92 | | | | | | |
| 150 | 22×25 | 1.01 | | | | | | | 22×30 | 1.08 | | | | | | |
| 180 | 22×30 | 1.17 | 25×25 | 1.13 | | | | | 22×30 | 1.16 | 25×25 | 1.12 | | | | |
| | | | | | | | | | 22×35 | 1.23 | | | | | | |
| 220 | 22×35 | 1.33 | 25×30 | 1.31 | | | | | 22×35 | 1.33 | 25×30 | 1.30 | | | | |
| | | | | | | | | | 22×40 | 1.40 | | | | | | |
| 270 | 22×40 | 1.52 | 25×30 | 1.40 | 30×25 | 1.33 | | | 22×40 | 1.51 | 25×35 | 1.49 | 30×25 | 1.32 | | |
| | | | 25×35 | 1.50 | | | | | 22×45 | 1.58 | | | | | | |
| 330 | 22×45 | 1.71 | 25×35 | 1.61 | 30×30 | 1.55 | | | 22×50 | 1.78 | 25×40 | 1.69 | 30×30 | 1.54 | 35×25 | 1.40 |
| | 22×50 | 1.78 | 25×40 | 1.70 | | | | | | | | | | | | |
| 390 | 22×50 | 1.90 | 25×40 | 1.80 | 30×30 | 1.60 | 35×25 | 1.43 | 22×55 | 1.96 | 25×45 | 1.88 | 30×35 | 1.75 | 35×30 | 1.64 |
| | 22×55 | 1.97 | 25×45 | 1.89 | | | | | 22×60 | 2.02 | | | | | | |
| 470 | 22×60 | 2.18 | 25×50 | 2.10 | 30×35 | 1.82 | 35×30 | 1.68 | | | 25×50 | 2.10 | 30×40 | 1.96 | 35×30 | 1.70 |
| | | | | | | | | | | | 25×55 | 2.17 | | 35×35 | 1.85 | |
| 560 | | | 25×55 | 2.31 | 30×40 | 2.04 | 35×35 | 1.92 | | | 25×60 | 2.40 | 30×45 | 2.20 | 35×35 | 1.94 |
| | | | | | | | | | | | | | 30×50 | 2.29 | 35×40 | 2.07 |
| 680 | | | | | 30×45 | 2.31 | 35×35 | 2.00 | | | | | 30×50 | 2.43 | 35×40 | 2.17 |
| | | | | | 30×50 | 2.42 | 35×40 | 2.15 | | | | | 30×55 | 2.51 | 35×45 | 2.29 |
| 820 | | | | | 30×55 | 2.64 | 35×45 | 2.37 | | | | | | | 35×45 | 2.41 |
| | | | | | | | | | | | | | | | 35×50 | 2.50 |
| 1000 | | | | | | | 35×50 | 2.58 | | | | | | | 35×60 | 2.89 |
| 1200 | | | | | | | 35×60 | 2.95 | | | | | | | | |

| Vdc Cap(μF) φD | 450 | | | | | | | | 475 | | | | | | | |
|-------------------|-------|------|-------|------|-------|------|-------|------|-------|------|-------|------|-------|------|-------|------|
| | φ22 | | φ25 | | φ30 | | φ35 | | φ22 | | φ25 | | φ30 | | φ35 | |
| 82 | | | | | | | | | 22×25 | 0.74 | | | | | | |
| 100 | | | | | | | | | 22×30 | 0.84 | 25×25 | 0.85 | | | | |
| 120 | 22×25 | 0.93 | | | | | | | 22×30 | 0.91 | 25×30 | 0.95 | | | | |
| 150 | 22×30 | 1.09 | 25×25 | 1.06 | | | | | 22×35 | 1.05 | 25×30 | 1.04 | 30×25 | 1.05 | | |
| 180 | 22×35 | 1.24 | 25×30 | 1.22 | | | | | 22×40 | 1.19 | 25×35 | 1.19 | 30×30 | 1.19 | | |
| 220 | 22×40 | 1.41 | 25×30 | 1.31 | 30×25 | 1.26 | | | 22×45 | 1.34 | 25×40 | 1.35 | 30×30 | 1.28 | 35×25 | 1.22 |
| | | | 25×35 | 1.39 | | | | | | | | | | | | |
| 270 | 22×45 | 1.59 | 25×35 | 1.50 | 30×30 | 1.46 | 35×25 | 1.35 | 22×55 | 1.56 | 25×45 | 1.52 | 30×35 | 1.47 | 35×30 | 1.43 |
| | 22×50 | 1.65 | 25×40 | 1.58 | | | | | | | | | | | | |
| 330 | 22×55 | 1.85 | 25×45 | 1.78 | 30×30 | 1.55 | 35×25 | 1.41 | | | 25×50 | 1.71 | 30×40 | 1.66 | 35×30 | 1.50 |
| | | | | | 30×35 | 1.67 | 35×30 | 1.58 | | | | | | | | |
| 390 | 22×60 | 2.03 | 25×50 | 1.97 | 30×35 | 1.75 | 35×30 | 1.61 | | | 25×60 | 1.95 | 30×40 | 1.75 | 35×35 | 1.70 |
| | | | | | 30×40 | 1.87 | | | | | | | | | | |
| 470 | | | 25×55 | 2.18 | 30×40 | 1.97 | 35×35 | 1.84 | | | | | 30×50 | 2.04 | 35×40 | 1.90 |
| | | | 25×60 | 2.26 | 30×45 | 2.08 | | | | | | | | | | |
| 560 | | | | | 30×50 | 2.29 | 35×40 | 2.06 | | | | | 30×60 | 2.33 | 35×45 | 2.11 |
| 680 | | | | | 30×55 | 2.54 | 35×45 | 2.28 | | | | | | | 35×55 | 2.45 |
| | | | | | 30×60 | 2.63 | | | | | | | | | | |
| 820 | | | | | | | 35×50 | 2.55 | | | | | | | | |
| | | | | | | | 35×55 | 2.66 | | | | | | | | |
| 1000 | | | | | | | 35×60 | 2.93 | | | | | | | | |

| Vdc Cap(μF) φD | 500 | | | | | | | |
|-------------------|-------|------|-------|------|-------|------|-------|------|
| | φ22 | | φ25 | | φ30 | | φ35 | |
| 68 | 22×25 | 0.69 | | | | | | |
| 82 | 22×30 | 0.77 | | | | | | |
| 100 | 22×30 | 0.85 | | | | | | |
| 120 | 22×35 | 0.96 | 25×30 | 0.96 | | | | |
| 150 | 22×40 | 1.11 | 25×30 | 1.06 | | | | |
| 180 | 22×45 | 1.25 | 25×35 | 1.20 | 30×30 | 1.20 | 35×25 | 1.16 |
| 220 | 22×50 | 1.40 | 25×40 | 1.36 | 30×30 | 1.29 | 35×30 | 1.35 |
| 270 | 22×60 | 1.62 | 25×50 | 1.60 | 30×35 | 1.48 | 35×30 | 1.43 |
| 330 | | | 25×55 | 1.78 | 30×40 | 1.67 | 35×35 | 1.63 |
| 390 | | | | | 30×45 | 1.85 | 35×40 | 1.82 |
| 470 | | | | | 30×55 | 2.14 | 35×45 | 2.02 |
| 560 | | | | | 30v60 | 2.34 | 35×50 | 2.23 |
| 680 | | | | | | | 35×55 | 2.44 |

↑リプル電流Ripple Current (A r.m.s./120Hz, 105°C)
↑ケースサイズ Case Size φD×L(mm)